

DTS MR-SD 33000 PHENOMENON

The first **2 axis** complete digital tracking system in the world



More photovoltaic panels per system

Supreme strength and durability

Aerodynamic design

Low operation cost

Modern digital technology

Flexible construction

Real-time monitoring

Robust technology

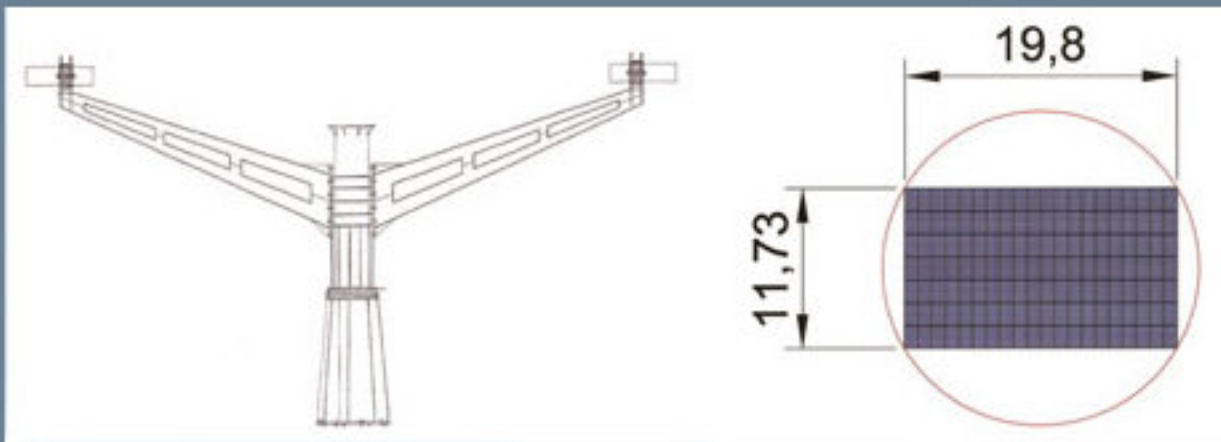
Easy installation

DTS MR-SD 33000 PHE (PHENOMENON) – Dual axis Tracking System

The first 1-axis full digital tracking system in the world!!!

The tracking system **DTS MR -SD 33000 PHE** was developed with special software of three dimensional parametric design "Dassult Systems".

To ensure the adequacy of both the strength and the workability of the construction, we used the Finite Element Method.



TECHNICAL CHARACTERISTICS

Type	2 axis "V" system
Metal construction	Hot-dip galvanized steel
Floor area*	230 m ²
Weight	7.500 Kg
Lifting capacity	10.602 Kg
Maximum installed capacity*	-35 kw
Maximum operational height	10,5 m
Vertical inclination	70°
Horizontal rotation	270°
Tracking System	Digital astronomical regulation
Control, Monitoring	Central control system
Wind shield*	Automatic Leveling from 50-90 km/h
Maximum resistance to wind*	~200 Km/h
Motion transmission system	Slew Drive
Energy consumption	60 KWh/year
Power supply	380-400 Vac, 50-60 Hz
Support base*	10-14 m ³
Maintenance	Annual service
Protection warning sensors	Snow, fire, storm, hail, static loads (optional)
Uninterrupted system	Constant 24-hour power supply UPS (optional)

Technical data are subject to change at any moment from the company

* Following an implementation study

* For more information see the General Commerce Terms

* Follow the instructions of the technical manual.